



POWER MADE EASY.

BOMAG BM 500/15-2 AND BM 600/15-2 COLD PLANERS.



MILLIONS OF KILOMETRES BEAR OUR SIGNATURE.

You build the finest roads so we can all make the quickest progress. And to ensure your rapid progress, we build the best machines. As a member of the leading international FAYAT group, we supply machines for all areas of road construction - from soil compactors and cold planers to recyclers, from asphalt rollers to pavers. For over 60 years, the history of our company has been synonymous with the history of road construction.

Our cold planers embody BOMAG's successful design philosophy: high-quality materials for maximum reliability, power-

ful yet economical drive systems for greater efficiency, innovative ideas that offer real practical benefits. In every performance class.

We owe our innovative strength to our more than 2,300 employees worldwide, their commitment, and their experience. With a global network of experts and our partners in more than 120 countries, we support you comprehensively, from the configuration of the machines to providing solutions for the most challenging of tasks. Success comes from teamwork.





FROM SMALL TO GREAT!



BM 500/15-2
BM 600/15-2

BM 1000/20

BM 1000/35-2
BM 1200/35-2
BM 1300/35-2

BM 1000/30
BM 1200/30
BM 1300/30

BOMAG offers a wide range of powerful and efficient cold planers. From the compact machine with a working width of 500 mm to the 780 HP large planer with a working width of 2,500 mm. With milling widths of 500 and 600 mm, the latest generation of BM/15-2 compact planers is perfectly suited to a wide range of different requirements. The improved view of the working area and the cutting edge indicators make it a precision tool for any finishing, patching or manhole cover milling work.

Its intuitive operating concept and comfort features guarantee it's one of the most pleasant workplaces in the 150 HP class.

This makes it the ideal choice for inner-city construction sites and for support on secondary and country roads. In addition, the machine's high travel speed enables it to carry out patching work effectively.



BM 2000/60-3

**BM 1500/65
BM 2000/65
BM 2200/65**

**BM 2000/75
BM 2200/75
BM 2500/75**

WITH EVERYTHING THAT MAKES WORK EASIER.

ULTRA-LIGHT CONVEYOR BELT.

- 2 x 30° slewing angle at full belt width
- Hydraulically foldable for optimised transport length
- Multi-coupling for faster attachment
- Integrated support feet also for the short conveyor belt

OPTIMUM OVERVIEW.

- Frame cut-out for best view of the side plates
- Additional cutting edge indicators for precise manoeuvring
- Optimised attachment markings for the right-hand side plate

CONVENIENT MAINTENANCE.

- Perfectly positioned service points for diesel, AdBlue and water filling
- Milling drum service position conveniently adjustable from ground level
- Water filling possible from left or right





HIGH DEGREE OF OPERATING COMFORT.

- Clearly arranged operating console and control elements
- 45° swivel seat for fatigue-free working
- Seat heating as standard
- Quiet and low-vibration operator's platform
- Easily accessible stowing spaces, lockable storage compartment
- Optional weather protection roof with adjustable operator's platform lighting

PRECISION LEVELLING.

- Optional BOMAG Easy Level for perfect results
- 7" full-graphic levelling display
- Maintenance-friendly, cylinder-integrated sensors on the side plates
- Interfaces for additional levelling fitted as standard

EFFICIENT CUTTING TECHNOLOGY.

- Uniform milling pattern and low cutting-tool wear
- Quick-change milling drums as standard
- Reinforced milling box for long service life
- Quiet running and low vibrations due to higher weight

DESIGN PHILOSOPHY:

WELL THOUGHT-OUT FROM BEGINNING TO END.

The powerful high-torque engines are fuel-efficient, and effective sound insulation minimises the noise impact on the operator's platform.

Our planers meet the strict emissions standards according to EU Stage V and Tier 4 final. A robust Tier 3 compliant engine version is available for use in countries with diesel containing sulphur.

OPTIMAL MILLING PERFORMANCE.

The operator can switch between three application-specific milling speed presets on the control panel. Adapted to the desired milling depth, the milling drum always works in the optimal torque range. At the same time, the feed rate is automatically maximised.

BUILT FOR HIGH DEMANDS.

All BOMAG machines are characterised by durability and precision. This includes the latest generation of small planers.

These feature durable milling boxes, solid hold-downs, reinforced side plates, and heavier milling drums.

ECONOMICAL AND POWERFUL.

The BM/15-2 series' high productivity is also the result of the perfect balance between machine performance and BOMAG cutting technology. The alignment of the tool holders is optimised for the milling process, which results in optimum rotation and low wear of cutting tools and machine.



Intuitively grouped control elements enable fast orientation times and support machine operators in their everyday work.

FOCUS ON THE DRIVER.

BOMAG's philosophy also includes putting the driver at the centre of its attention. Hence, operators of the BM/15-2 series are easily won over by its straightforward, precise handling and low-noise, low-vibration workplace, which reduces operator fatigue. The ergonomics follow the same no-nonsense approach: perfectly positioned function and control elements and the individually adjustable swivel (spring-loaded) seat with seat heating as standard make long working days more comfortable.



THE WORKPLACE:

EXPERIENCE SIMPLE OPERATION.

Smooth manoeuvring, keeping an eye on the milled material loading while paying attention to the milling depth and pattern – machine operators must be able to perform many tasks simultaneously. And that's why the machine has to be built in a way that enables fluid, intuitive work.

SIMPLY SELF-EXPLANATORY.

That's what the BM/15-2 operating concept is geared towards. All relevant functions are clearly grouped and within easy reach. The adjustable operating console and comfortable armrest enable fatigue-free and comfortable working. Standing is rarely necessary.

The 7" full-colour display is clearly structured and all functions relevant to the milling operation, such as adjusting the water quantity, can be directly selected and set via a pop-up window. Relevant information, such as the milling depth, remains continuously visible.

EASY TO GRASP.

The travel lever is a true multi-talent. It controls the feed rate as well as the lifting columns, side plates and conveyor belt. It furthermore allows the operator to switch to the levelling display. The operator can thus navigate through numerous functions with just one hand. What makes things even easier: the feed rate speed can be set separately via a rotary switch and the operator can concentrate on swivelling the conveyor belt, for example.



All at a glance: adjustable operating console with 7" full-colour



All clear: the water quantity setting appears in a pop-up window.



All in the operator's hand: multifunctional travel lever.

BOMAG EASY LEVEL:

BECAUSE SIMPLE IS SIMPLY BETTER.

BOMAG Easy Level allows you to simultaneously increase and simplify the work quality - for machine operators. This optional tool provides a levelling system that ensures a high degree of evenness during the milling process.

CLEAR PICTURE.

The BOMAG Easy Level levelling system functions are shown on the 7" full-colour display. Default and actual values are shown in large and easy-to-read figures. The symbols displayed clearly indicate functions that can be directly selected or set directly using the buttons at the side.



The user interface of the BOMAG Easy Level levelling system display.

SIMPLE USER INTERFACE.

The flat structure of the menus makes it possible to implement all settings or adjustments relevant to milling, such as water quantity or milling depth, in a maximum of three steps.

MEASURABLE SUCCESS.

BOMAG Easy Level shows all the necessary information on the work result during milling. This allows the machine operator to adjust the values quickly and easily if necessary. Without wasting time.



THE CONVEYOR BELT:

MORE IDEAS, FEWER KILOS.

Every component counts if a machine is to be easy and productive to use. The conveyor belt is one of the most important. Our latest BM/15-2 models are equipped with the newest conveyor belt generation – with many well-thought-out solutions.

LESS WEIGHT, BETTER DISTRIBUTED.

Intelligent lightweight construction is used in all versions (rigid, foldable and short conveyor belt). The foldable, long conveyor belt, which is an impressive 150 kg lighter than its predecessor, ensures even better traction thanks to optimised weight distribution. This provides optimum support for the milling drum and drive wheels.

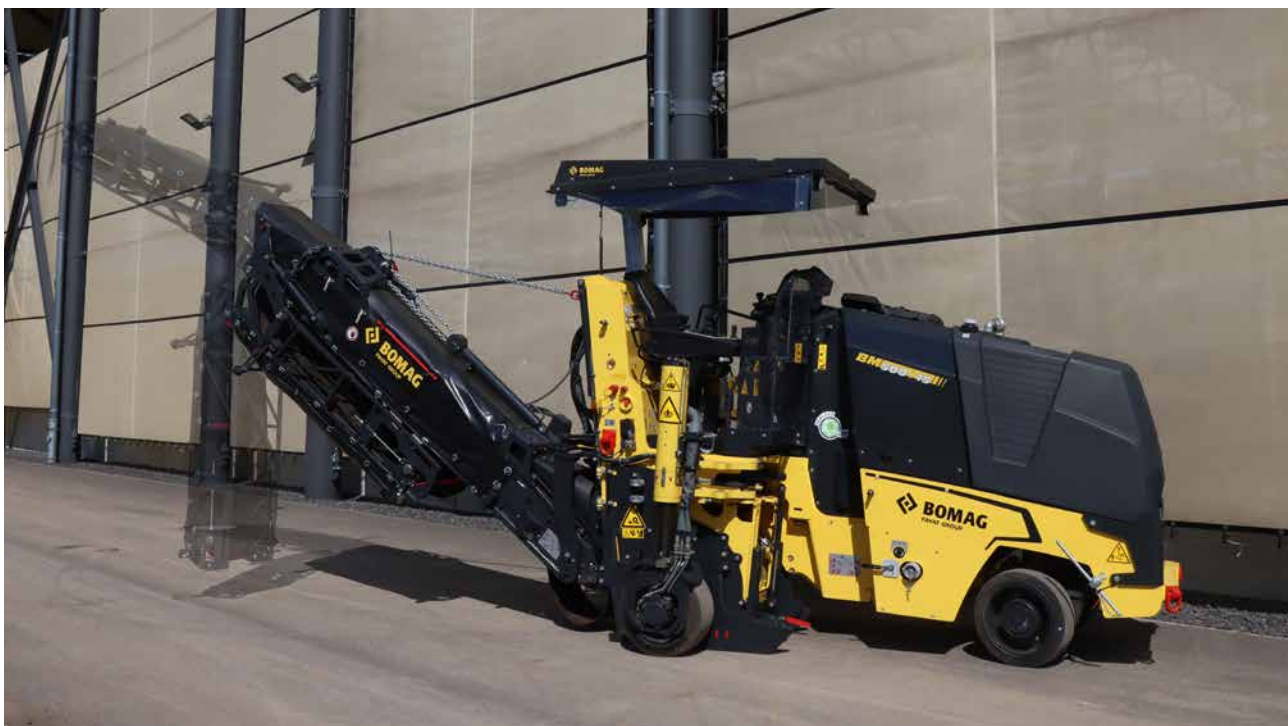
FLEXIBLE AND HANDY.

The long conveyor belt makes loading lorries (up to 4-axle trucks) easy. A hydraulic control system allows the belt speed and thus the discharge distance to be adjusted as required.

Four integrated set-down points enable the conveyor belt to be lowered directly on the construction site when folded, even on freshly laid asphalt. Thanks to the hydraulic and electric quick coupling, the process is completed in one minute.

PRACTICAL THINKING:

Another clever idea: the hydraulic cylinder for height adjustment is located on the conveyor belt. Therefore, its weight does not have to be carried when unhooking and rehooking the chain, and the risk of mechanical damage is reduced at the same time.





ANYTHING GOES.

Some job sites require a high degree of flexibility: if the milled material is loaded with a front or compact loader, the short conveyor belt is the ideal solution. It can be attached or removed in next to no time. The discharge distance can be regulated mechanically.

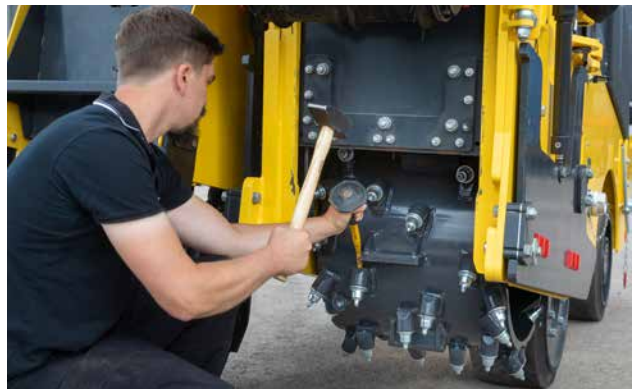
THE CUTTING TECHNOLOGY:

EFFICIENCY IS MORE THAN JUST A GOOD IDEA.

How efficiently a planer does its job is already determined at the design stage. That's why we consider all crucial operational aspects right from the start.

SMOOTHER RUNNING, LESS WEAR.

BOMAG milling drums run comparatively more smoothly due to their greater weight and the BOMAG-specific arrangement of the cutters, and stand out for their extremely low vibration and wear. The outer edge cutters not only ensure a precise cutting edge but also reduce wear on the sides – and thus the service life of the milling drum.



The easily accessible service switch opens the milling box and moves the BM/15 series machines into a convenient servicing position.

INGENUITY IS IN THE DETAIL.

If the worst comes to the worst, the standard quick-change system allows the milling drum to be replaced in the shortest possible time (approx. 15 minutes) – and with just one tool size. Helpful details:

- Hoses and cables are routed for easy servicing
- A centring pin keeps the milling box door in the right position at all times
- This facilitates screw fastening, preventing damage to the threads
- The guide pin makes it easy to position the milling drum,
- thus protecting the thread from damage

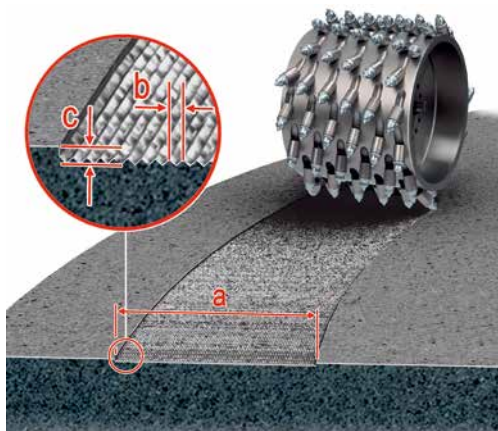


A PLANER MUST MILL, MILL AND MILL...

THE WIDE CHOICE.

A planer's job is to plane in as many different applications and working widths as possible. That's why BOMAG compact planers come with a choice of quick-change milling drums that offer the right working widths and tool spacings for every job site.

BOMAG provides innovative all-rounders in the compact class, whether for repair work, removing asphalt strips, fine milling or trenches, milling joints or planing close to manhole covers and kerbs.



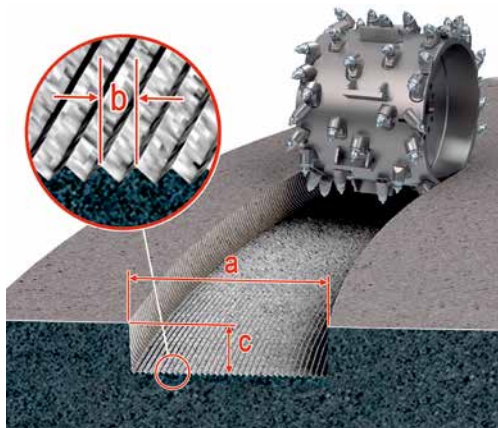
BOMAG fine milling drum

Property

Best milling finish for shallow milling depths at high speed

Application

Levelling of uneven and deformed road surfaces



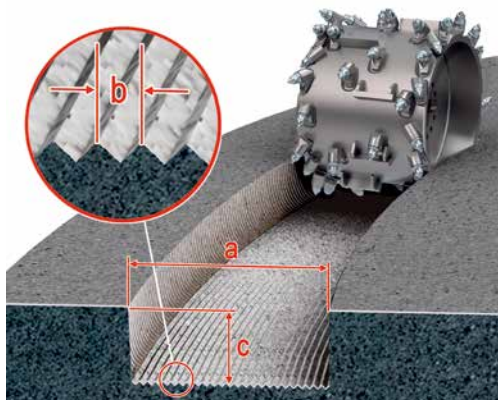
BOMAG standard milling drum (all-round drum)

Property

Maximum milling power for medium milling depths at medium speed

Application

Removal of asphalt strips, trenches, road repairs and universal surfacing work



BOMAG POWER DRUM

Property

Maximum milling power for large milling depths at low speed

Application

Removing surfaces at full depth, trenches and road-surface roughing

ERGONOMICS AND COMFORT:

SETTING STANDARDS IN SIMPLICITY AND OPERATING COMFORT.

No two construction sites are the same, which is why the ability to adapt is a key characteristic of every BOMAG machine. Our small planers have three variable milling drum speeds that are easy to activate by a rotary switch on the operating panel.

The feed rate can also be set separately with the power limit control. This enables the machine operator to achieve optimal results in terms of surface quality, productivity and wear in a few simple steps. The energy balance is improved at the same time: the machines in the current BM/15-2 series require up to 20% less fuel – with lower wear on the milling drum and box.



SPEEDY AND MANOEUVRABLE.

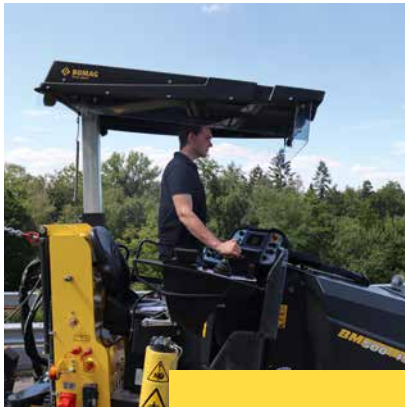
With a travel speed of up to 10 km/h, the planer can move quickly from one job to the next. Its manoeuvrability in the smallest of spaces is equally impressive: with both the 3-wheel and 4-wheel versions, manhole covers can be milled around effortlessly thanks to the small milling radius.



The long milling edge indicators enable the machine operator to mill perfectly along the specified cutting edge.



The extended visible area on the swivel wheel mechanism allows the depth marker to be seen when setting up and lifting out.



Adaptable.

The infinitely swivelling control panel enables fatigue-free working – whether sitting or standing.



Ready to go.

Conveniently located shelves and storage compartments offer plenty of space for a water bottle, gloves, marking spray or personal items.

RETAINING VALUE – AN OPTIMAL OPTION.

Clever ideas preserve the value of your investment – that's the BOMAG philosophy and includes all steps in the operation of our machines. Thinking one step ahead. With you in mind.

WITH BUILT-IN WASHING SYSTEM.

If required, we supply machines in the BM/15-2 series with a water pump with suction function. This allows water to be conveniently refilled from external sources. Combined with the optional hose reel, this enables your employees to clean the machine on the construction site – and leave no dirt behind in the depot.



REALLY USEFUL.

The spray bar is an important component for cooling the cutters. With the additional side-mounted switch, you can perform a spray nozzle test at any time. After simply removing the spray bar, it allows you to switch on the water system from the ground to check the function of the spray nozzles.



DON'T BE CAUGHT OUT IN THE COLD.

Frost damage can be expensive. Therefore, on particularly cold days, the drain valve on the side helps to empty the pump, thereby also safeguarding your investment.



IN A CLASS OF ITS OWN.

High workplace and operating comfort for a clear productivity boost – the current generation of our small planers is impressive in every application: three examples:

THE WEATHER PROTECTION ROOF.

Optimum protection with no impact on the transport height – the weather protection roof can be conveniently operated from the ground and the driver's stand. It is equipped at the factory with storage nets, adjustable workplace lighting and four work lights. The optional acrylic glass weather protection comes into its own in the event of driving rain from the side.



THE LEVELLING SYSTEM.

In addition to monitoring the milling depth, the optional BOMAG Easy Level permanently monitors the cross slope, thus ensuring the quality of the milled surface – and the success of your work.



THE FOLDABLE CONVEYOR BELT.

A technical highlight: the conveyor belt, which is around 150 kg lighter than its predecessor, features integrated set-down feet, quick coupling for easy attachment and detachment and the hydraulic cylinder located on the conveyor belt.



Head Office / Hauptsitz:

BOMAG
Hellerwald
56154 Boppard
GERMANY
Tel. +49 6742 100-0
info@bomag.com

**BOMAG Maschinen-
handels-gesellschaft m.b.H.**

Klausenweg 654
2534 Alland
AUSTRIA
Tel. +43 2258 20202
austria@bomag.com

BOMAG MARINI EQUIPAMENTOS LTDA.

Rua Comendador Clemente Cifali, 530
Distrito Industrial Ritter
Cachoeirinha – RS
BRAZIL
ZIP code 94935-225
Tel. +55 51 2125-6677
brasil@bomag.com

BOMAG (CANADA), INC.

2233 Argentia Road, East Tower
Suites 302
Mississauga, ON, Canada
L5N 2X7
Tel. +1 800 782 6624
canada@bomag.com

BOMAG (CHINA)

Compaction Machinery Co. Ltd.
No. 2808 West Huancheng Road
Shanghai Comprehensive
Industrial Zone (Fengxian)
Shanghai 201401
CHINA
Tel. +86 21 33655566
china@bomag.com

BOMA Equipment

Hong Kong LTD

Room 1003, 10/F Cham Centre
700, Castle Peak Road
Kowloon
HONG KONG
Tel. +852 2721 6363
bomahk@bomag.com

BOMAG France S.A.S.

2, avenue du Général de Gaulle
91170 Viry-Châtillon
FRANCE
Tel. +33 1 69578600
france@bomag.com

BOMAG (GREAT BRITAIN), LTD.

Sheldon Way
Larkfield, Aylesford
Kent ME20 6SE
GREAT BRITAIN
Tel. +44 1622 716611
gb@bomag.com

BOMAG Italia

Via Roma 50
48011 Alfonsine
ITALY
Tel. +39 0544 864235
italy@bomag.com

FAYAT BOMAG Polska Sp. z o.o.

Ul. Szyszkowa 52
02-285 Warszawa
POLAND
Tel. +48 22 482 04 00
poland@bomag.com

FAYAT BOMAG RUS OOO

141400, RF, Moscow region
Khimki, Klayazma block, h. 1-g
RUSSIA
Tel. +7 (495) 287 92 90
russia@bomag.com

BOMAG GmbH

300 Beach Road
The Concourse, #18-06
Singapore 199555
SINGAPORE
Tel. +65 6 294 1277
singapore@bomag.com

BOMAG Americas, Inc.

125 Blue Granite Parkway
Ridgeway SC 29130
U.S.A.
Tel. +1 803 3370700
usa@bomag.com